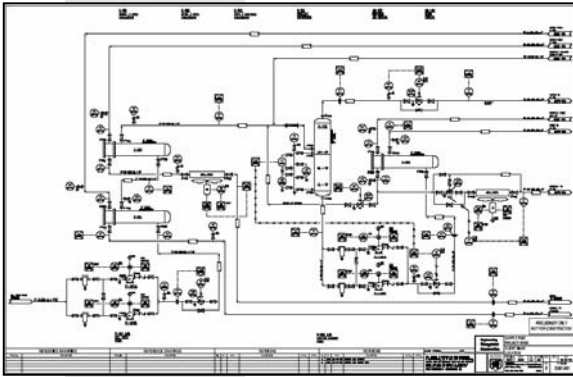




# REDD Engineering & Construction, Inc.

## DESIGN SERVICES

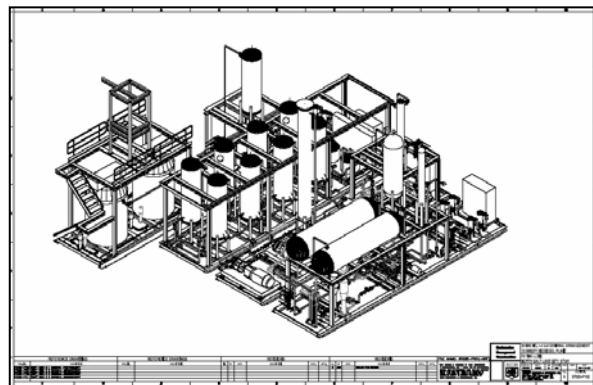
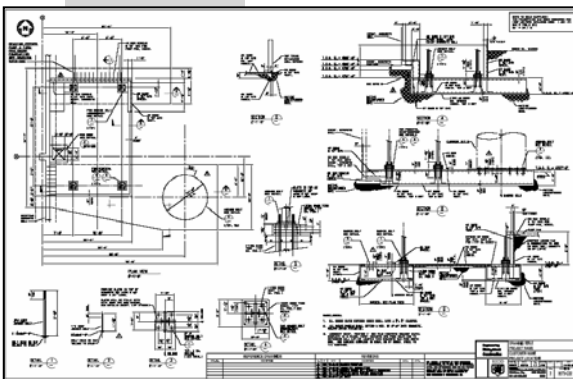
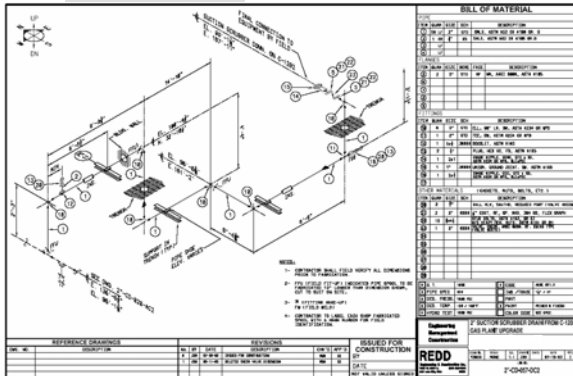


REDD Engineering's staff includes designers and drafters that specialize in AutoCAD. They possess a wide range of experience and skills representing many industries and service groups.

REDD has design standards that are strictly followed. We have a long history of excellence in design, and always aim to exceed both client expectations and industry standards.

## EXPERTISE FEATURES

- Piping Design
- Piping & Instrumentation Diagrams (P&IDs)
- Process Flow Diagrams (PFDs)
- Piping Isometrics
- 3-D Modeling
- Equipment Drawings
- General Arrangements / Site Plans
- Concrete Foundations
- As-Built Walkdowns



## REDD Engineering & Construction, Inc.

1751 West Alexander Street, Suite 105 • Salt Lake City, Utah 84119 USA  
801-582-4900 • fax 801-582-4966  
email: redd@redd-team.com  
web: www.redd-team.com